

Thanks for choosing our products,  
please read this manual carefully before using

# LED PRODUCT MANUAL

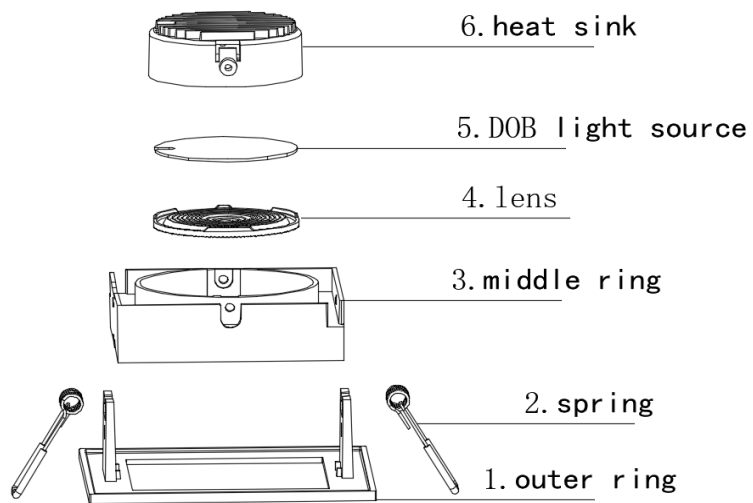
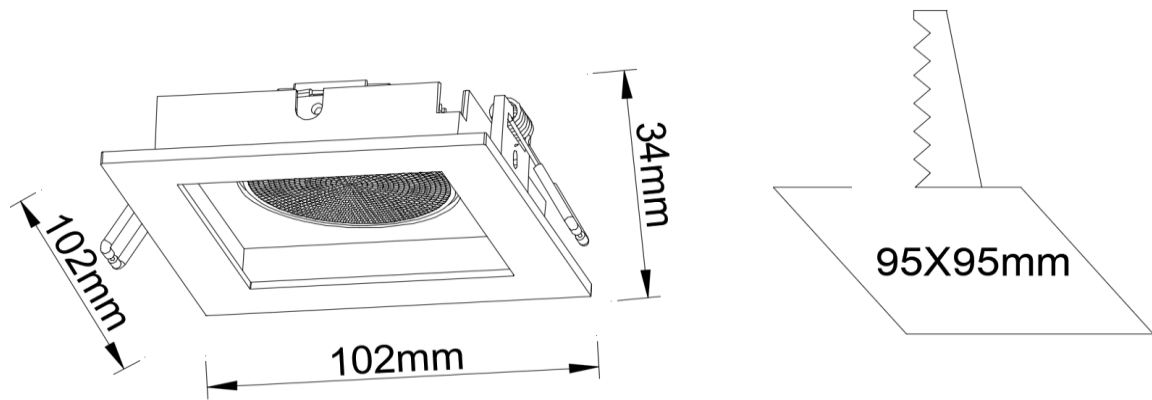
Product Name:LED RECESSED  
SPOT LIGHT

Model No. L6430C-5

Versions: 1.0

Date: 2023.05.03

## 一、Structure & size



## 二、Performance & parameter of product

lamp	warm white	natural white	cool white
lumen (lm)	380 lm	452 lm	427lm
color temperature (K)	3000K	4200K	6500K




### 三. Installation instructions

Installation instructions:

1. Switch off the power.
2. Ensure that the void depth is a minimum of 90mm, the thickness of ceiling is a maximum of 20mm. (see below pic. 1)
3. Cut a hole using an appropriate tool according to the cut-out. (see below pic. 2)
4. Connect the wire of the driver to mains (110V-220V) in a correct way, and put the driver into the ceiling properly. (see below pic. 3)
5. Push the spring clips upwards and fit into ceiling hole (see below pic. 4), ensure the product is sitting properly in hole.
6. Switch on the power if above steps done properly without any mistakes.

